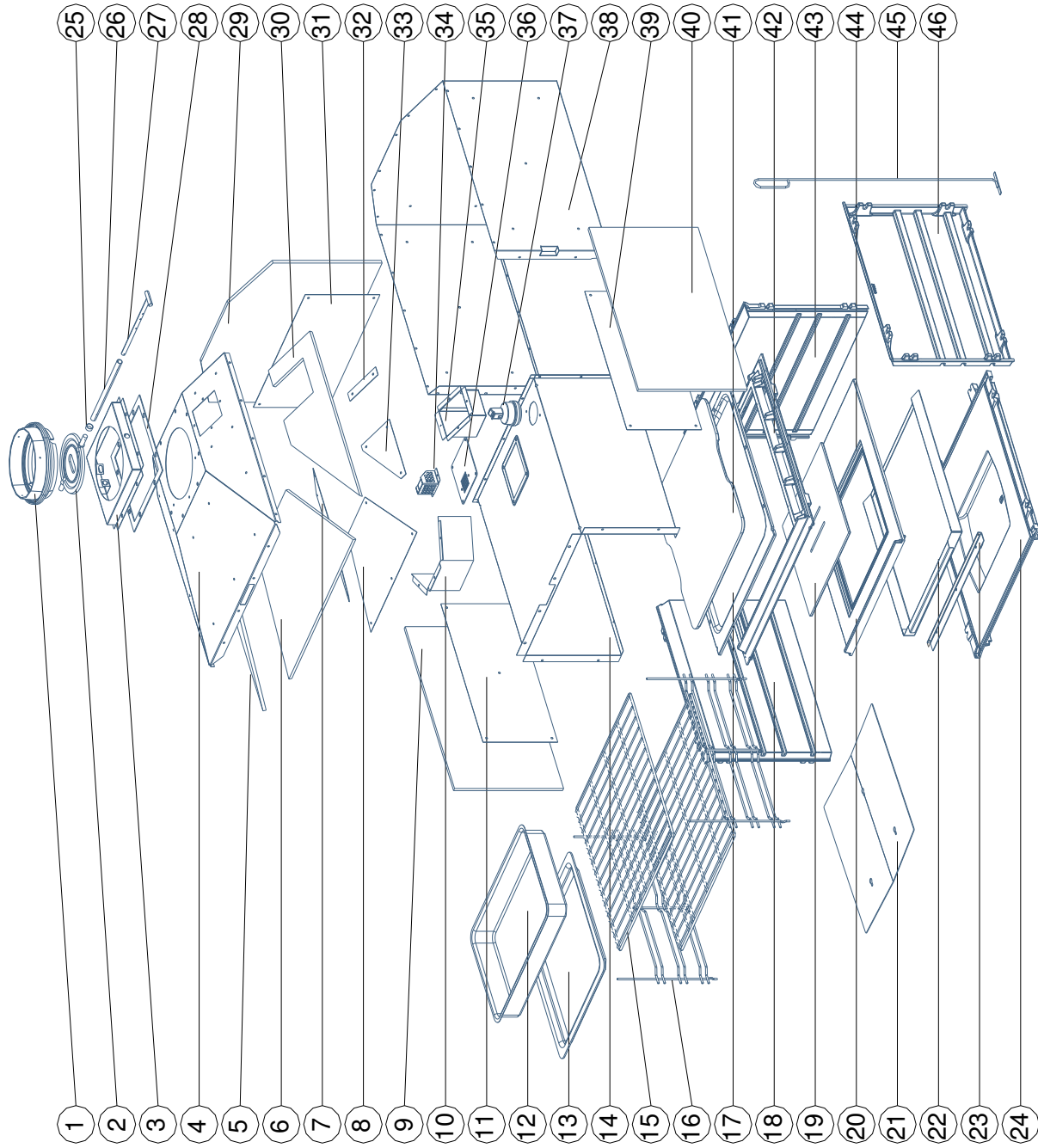
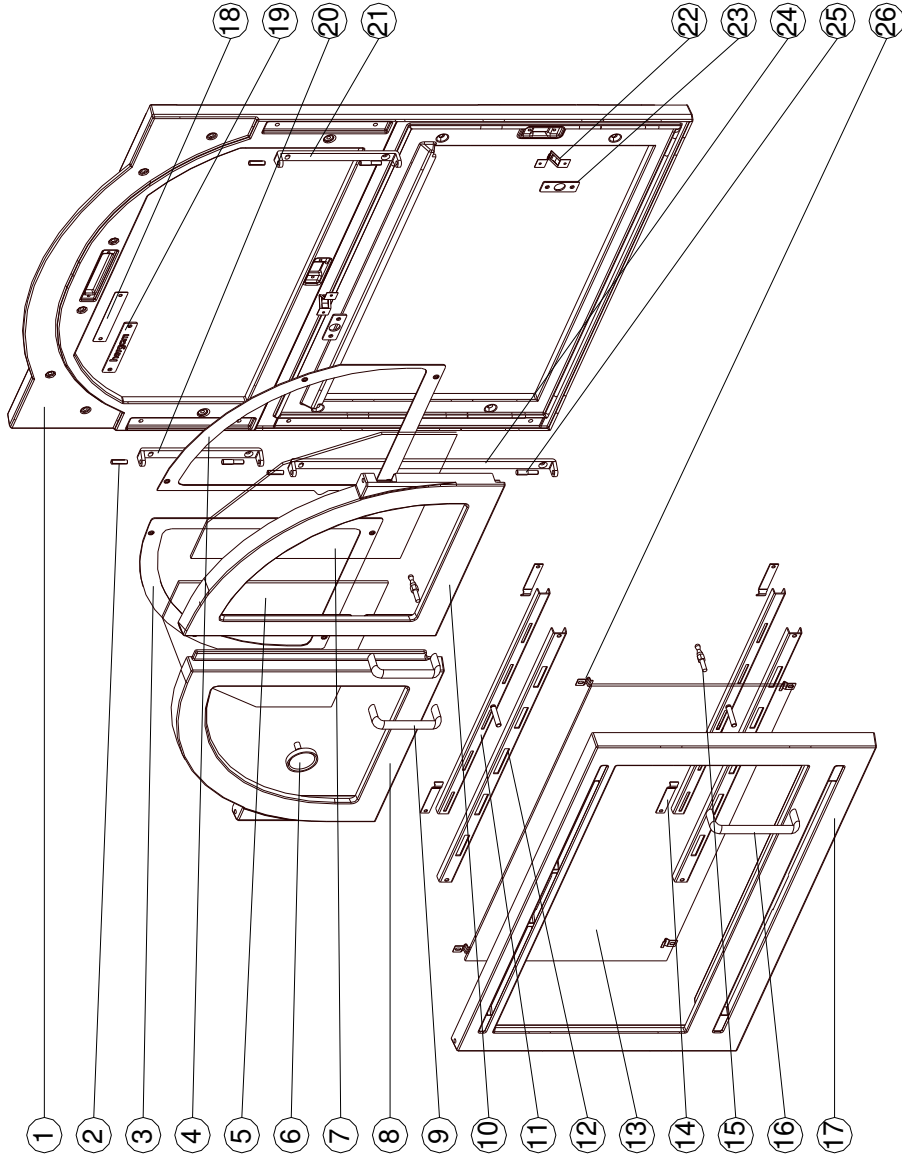


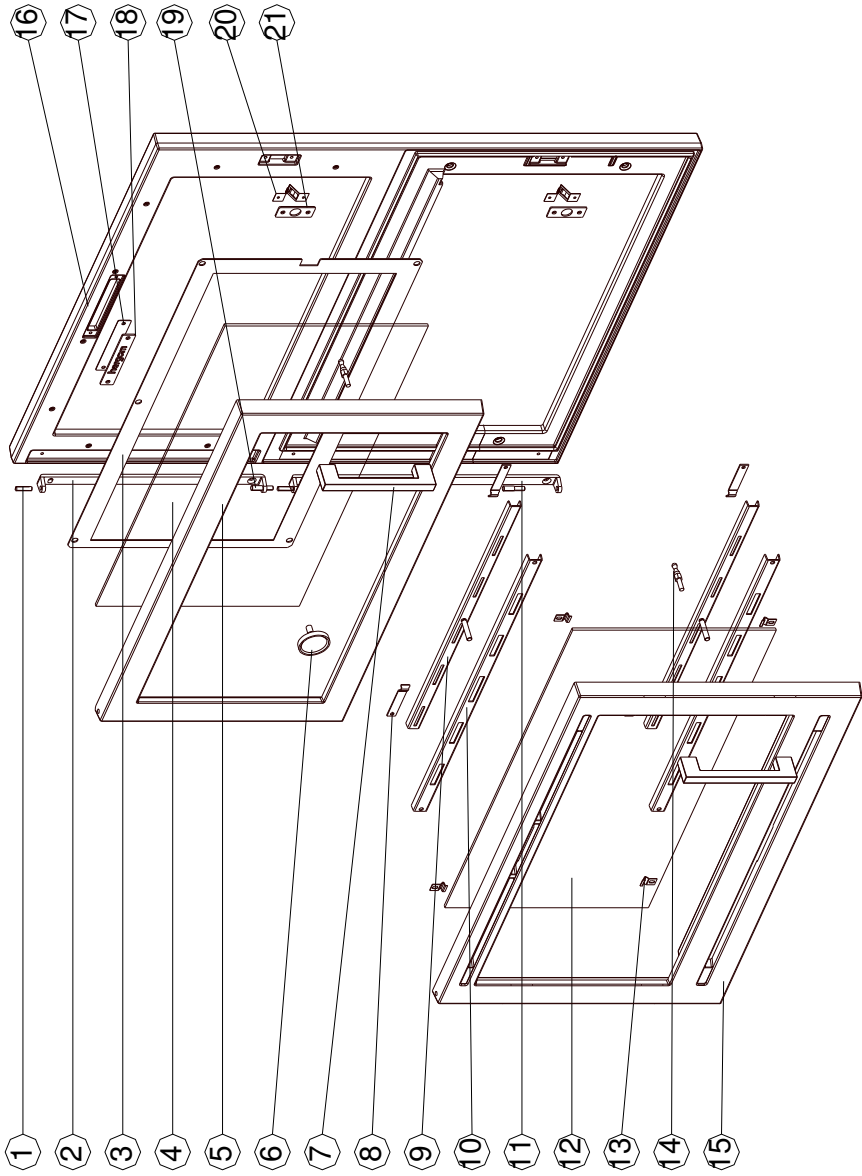
VISTAS EXPLOTADAS



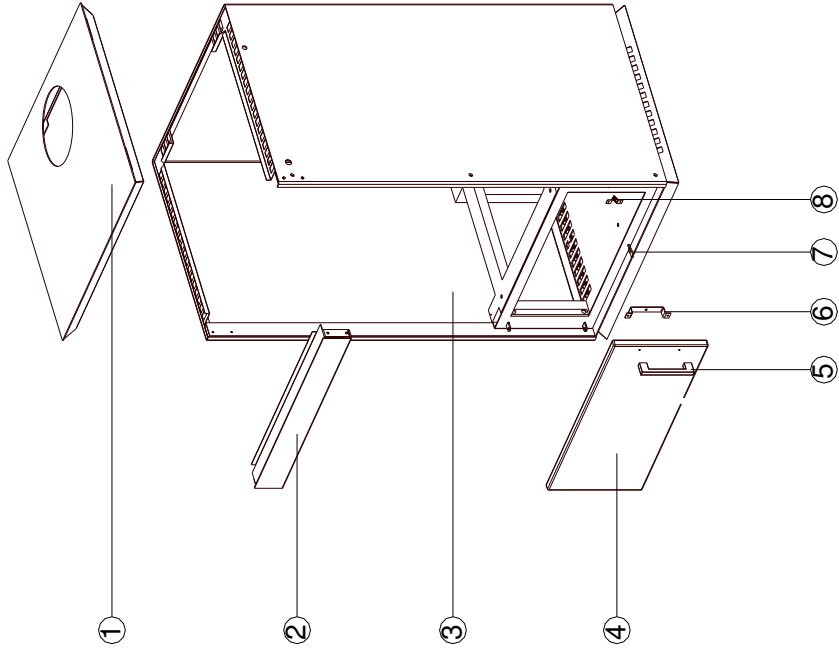
| Nº | CODIGO | NOMBRE | CDAD |
|----|---------|------------------------------------|------|
| 1 | HF00222 | ADAPTADOR CHIMENEA DIA 200 Y 230 | 1 |
| 2 | HF2360 | VALVULA TIRO CHIMENEA | 1 |
| 3 | CL00920 | CAMARA VALVULA TIRO | 1 |
| 4 | CL00922 | REVESTIMIENTO TECHO | 1 |
| 5 | J00175 | PLACA AISLANTE TECHO IZ | 1 |
| 6 | J00177 | PLACA AISL. TECHO CENTRO | 1 |
| 7 | CL00928 | SOP. AISLANTE TECHO IZDA | 1 |
| 8 | CL00927 | SOP. AISLANTE TECHO CENT | 1 |
| 9 | J00173 | PLACA AISLANTE LATERAL | 2 |
| 10 | CL00941 | DEFLECTOR CHIMENEA | 1 |
| 11 | CL00926 | SOP. AISLANTE COST/TRAS | 1 |
| 12 | Q0401 | BANDEJA HORNO INOX | 1 |
| 13 | Q0400 | BANDEJA HORNO CRISTAL | 1 |
| 14 | CL03038 | CUERPO HORNO | 1 |
| 15 | CL00910 | REJILLA HORNO | 2 |
| 16 | CL00905 | SOPORTE REJILLA H | 2 |
| 17 | HF03077 | DEFLECTOR | 1 |
| 18 | HF03067 | COSTADO HOGAR D/IZD | 2 |
| 19 | HF00823 | PARRILLA INFERIOR | 1 |
| 20 | HF03079 | SOBREFONDO | 1 |
| 21 | CL03044 | DEFLECTOR INOX. HOGAR | 1 |
| 22 | CL03042 | GENICERO | 1 |
| 23 | CL03200 | CHAPA SELLADO FRONTAL SOBREFONDO | 1 |
| 24 | HF00821 | FONDO ASADOR | 1 |
| 25 | Q00648 | CASQUILLO DEXT 20 DINT 18 L 8 INOX | 1 |
| 26 | CL00900 | EJE VALVULA DE TIRO | 1 |
| 27 | CL00903 | MANDO VALVULA DE TIRO | 1 |
| 28 | J00179 | PLACA AISLANTE COLLARIN | 1 |
| 29 | J00174 | PLACA AISLANTE TRASERA | 1 |
| 30 | J00176 | PLACA AISLANTE TECHO DC | 1 |
| 31 | CL00926 | SOP. AISLANTE COST/TRAS | 3 |
| 32 | CL00940 | SOP. AISLANTE TECHO TRAS | 1 |
| 33 | CL00929 | SOP. AISL. TECHO DCHA DEL | 1 |
| 34 | CL00921 | CUBO SALIDA GASES HRNO | 1 |
| 35 | CL00923 | CAMARA LUZ HORNO | 1 |
| 36 | CL03029 | REGISTRO HORNO | 1 |
| 37 | N0097 | LAMPARA HORNO | 1 |
| 38 | CL00919 | REVESTIMIENTO LATERAL | 1 |
| 39 | CL00926 | SOP. AISLANTE COST/TRAS | 3 |
| 40 | J00173 | PLACA AISLANTE LATERAL | 2 |
| 41 | HF00834 | FONDO HORNO | 1 |
| 42 | HF03084 | TECHO ASADOR | 1 |
| 43 | HF03068 | TRASERA HOGAR | 1 |
| 45 | CL00918 | UTIL LIMPIEZA REGISTRO | 1 |
| 46 | HF03067 | COSTADO HOGAR D/IZD | 2 |

| Nº | CODIGO | NOMBRE | CDAD |
|----|----------|------------------------------|------|
| 1 | HF03074 | FRENTE ARANDA | 1 |
| 2 | T1472623 | BULON SUPERIOR GIRO PUERTA | 3 |
| 3 | CL00909 | CHAPA CRISTAL PTA HORNO IZDA | 1 |
| 4 | CL00908 | CHAPA CRISTAL PTA HORNO DCHA | 1 |
| 5 | Q00555 | ARANDA-CRISTAL PUERTA IZDA | 1 |
| 6 | N0037 | TERMOMETROS CROMADOS | 1 |
| 7 | Q00554 | ARANDA-CRISTAL PUERTA DCHA | 1 |
| 8 | HF00829 | PUERTA RUSTICA IZDA | 1 |
| 9 | Q00568 | ARANDA-MANDO PUERTA HORNO | 2 |
| 10 | HF00830 | PUERTA RUSTICA DCHA | 1 |
| 11 | CL03041 | VALVULA HOGAR MOVIL | 2 |
| 12 | CL03040 | VALVULA HOGAR FIJA | 2 |
| 13 | Q00642 | CRISTAL PUERTA HOGAR | 1 |
| 14 | CL03043 | GUIA VALVULAS HOGAR | 4 |
| 15 | N0031 | CIERRES GRAPA | 2 |
| 16 | Q00562 | ARANDA MANDO PUERTA HOGAR | 1 |
| 17 | HF03075 | PUERTA HOGAR | 1 |
| 18 | CL00917 | PLACA INOX REGISTRO | 1 |
| 19 | CL00916 | LOGO HERGOM REGISTRO | 1 |
| 20 | CL00914 | BISAGRA PTA HORNO IZDA | 1 |
| 21 | CL00915 | BISAGRA PTA HORNO DCHA | 1 |
| 22 | N0032 | FLEJES CIERRE | 2 |
| 23 | CL00906 | TAPA SUJECCION CIERRE | 2 |
| 24 | CL03031 | BISAGRA PTA. HOGAR | 1 |
| 25 | K0156 | EJE GIRO INFERIOR BISAGRA | 3 |
| 26 | CL290 | GRAPA CRISTAL | 4 |

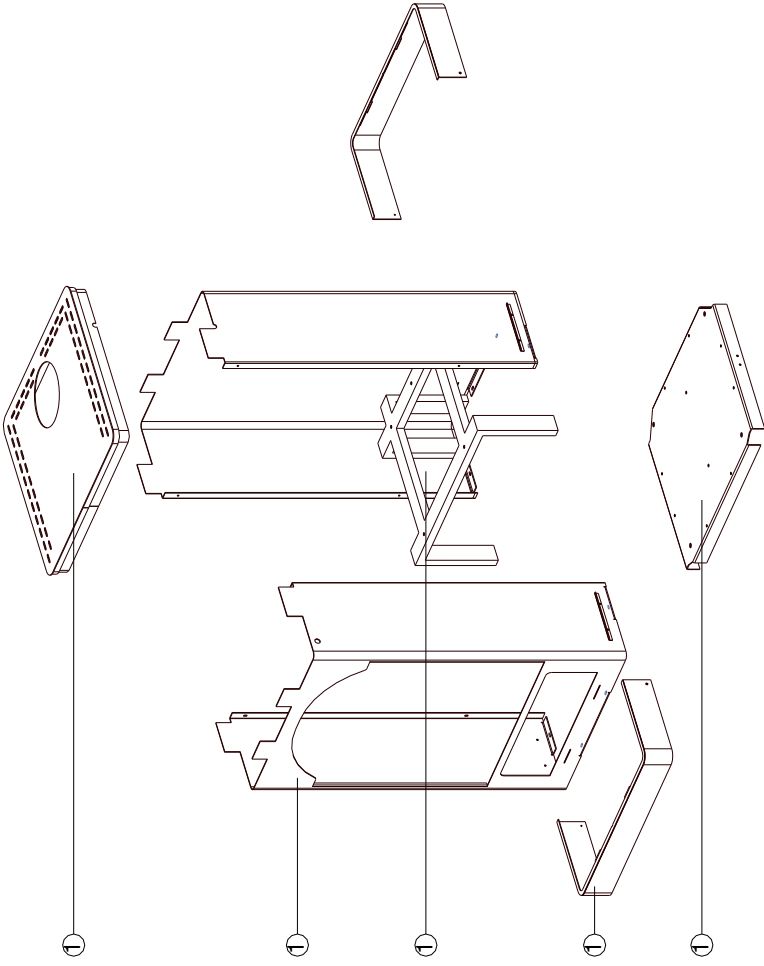




| Nº | CODIGO | NOMBRE | CDAD |
|----|----------|------------------------------------|------|
| 1 | T1472623 | BULON SUPERIOR GIRO PUERTA | 2 |
| 2 | CL00913 | SANTACRUZ-BISAGRA PTA HORNO | 1 |
| 3 | CL00907 | SANTACRUZ-CHAPA CRISTAL PTA HORNO | 1 |
| 4 | Q00553 | CRISTAL PUERTA HORNO | 1 |
| 5 | HF00828 | SANTACRUZ-PUERTA HORNO | 1 |
| 6 | N0037 | TERMOMETROS CROMADOS | 1 |
| 7 | Q00561 | SANTACRUZ-MANDO PUERTA HOGAR/HORNO | 2 |
| 8 | CL03043 | GUIA VALVULAS HOGAR | 4 |
| 9 | CL03041 | VALVULA HOGAR MOVIL | 2 |
| 10 | CL03040 | VALVULA HOGAR FIJA | 2 |
| 11 | CL03031 | BISAGRA PTA. HOGAR | 1 |
| 12 | Q00642 | CRISTAL PUERTA HOGAR | 1 |
| 13 | CL290 | GRAPA CRISTAL | 4 |
| 14 | N0031 | CIERRES GRAPA | 2 |
| 15 | HF03075 | PUERTA HOGAR | 1 |
| 16 | HF03076 | SANTACRUZ-FRENTE | 1 |
| 17 | CL00917 | PLACA INOX REGISTRO | 1 |
| 18 | CL00916 | LOGO HERGOM REGISTRO | 1 |
| 19 | K0156 | EJE GIRO INFERIOR BISAGRA | 2 |
| 20 | N0032 | FLEJES CIERRE | 2 |
| 21 | CL00906 | TAPA SUJECCION CIERRE | 2 |



| Nº | CODIGO | NOMBRE | CDAD |
|----|-----------|------------------------------------|------|
| 1 | CL00842 | SANTACRUZ-TAPA SUPERIOR | 1 |
| 2 | CL00848 | SANTACRUZ-FRONTAL SUPERIOR | 1 |
| 3 | CPX-00410 | SANTACRUZ-CONJUNTO REVESTIMIENTO | 1 |
| 4 | CL03032 | SANTACRUZ-PUERTA LEÑERA | 1 |
| 5 | Q00561 | SANTACRUZ-MANDO PUERTA HOGAR/HORNO | 1 |
| 6 | CL00893 | PUENTE PTA LEÑA | 1 |
| 7 | N0031 | CIERRES GRAPA | 1 |
| 8 | N0032 | FLEJES CIERRE | 1 |



| Nº | CODIGO | NOMBRE | CDAD |
|----|-----------|----------------------------------|------|
| 1 | CL00836 | ARANDA TECHO | 1 |
| 2 | CPX-00412 | ARANDA-CONJ FRENTE REVESTIMIENTO | 1 |
| 3 | CPX-00411 | ARANDA-CONJUNTO REVESTIMIENTO | 1 |
| 4 | CL00838 | ARANDA REVEST FALDON | 2 |
| 5 | CL00839 | ARANDA-FONDO | 1 |