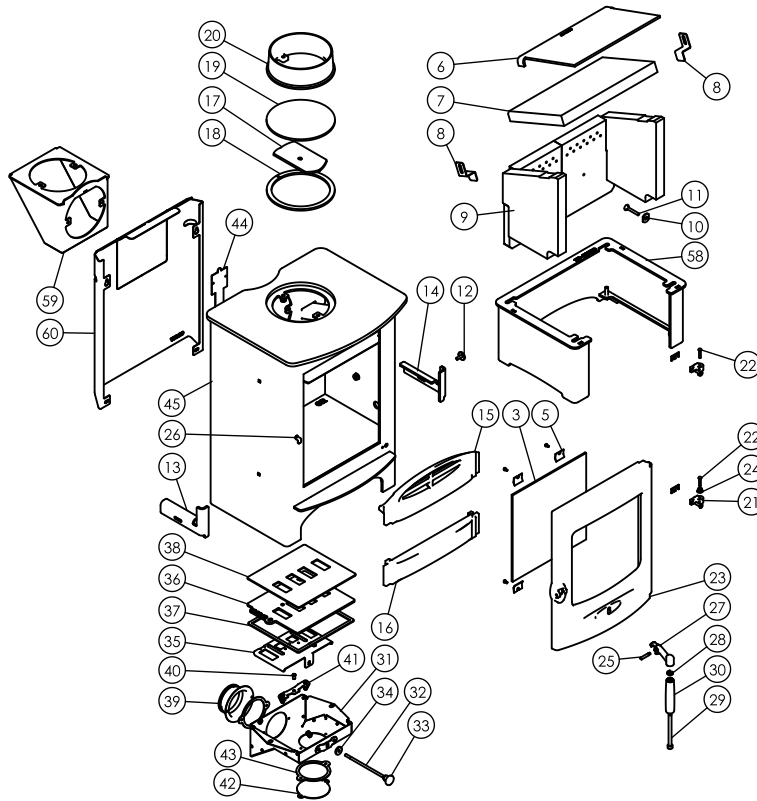


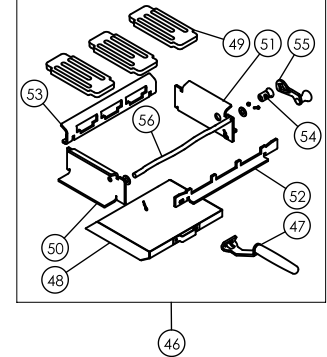
C-SIX PARTS LIST



Issue A



Optional Wood Ash Removal Kit



Item	Part No.	Description	Item	Part No.	Description
1*	008/PV21	Rope Door Seal	31	004/CR041	Airbox Cover
2*	008/FW29	Door Seal Adhesive	32	004/BR016	Control Rod
3	006/PV19	Glass (Inc Seal)	33	008/AY37	Air Control Knob
4*	008/PV55	Glass Seal	34	008/BR052	Felt Washer
5	004/KV23	Glass Retainer	35	004/CR007	Air Inlet Slide
6	010/CRE147	Upper Baffle Plate	36	010/CR005	Air Control Plate
7	011/CRE131	Throat Plate	37	008/BR045	Lower Air Box Gasket
8	004/XV30	Brick Retaining Bracket	38	008/CR006	Airbox Gasket
9	011/CRE130S	Set of Fire Bricks	39	008/CR048	Air Inlet Spigot
10	010/ER036	Brick Retaining Washer	40	008/ES36/01	Brass Ball Catch
11	008/FFB127	M6x45 Coach Bolt	41	004/BR015	Clicker Retainer Plate
12	004/DY22	Riddler Blanking Disk	42	004/CR064	Coverplate
13	010/CRE027L	LH Brick and Fence Support	43	008/CR063	Duct Gasket
14	010/CRE028R	RH Brick and Fence Support	44	012/CRE011	Serial No. Label
15	002/BR017	Fuel Retainer	45#	001/CRE010	Firebox
16	002/BR034	Wood Ash Retainer	46	010/CRE022	Grate Kit (Inc Handle)
17	010/AY51	Clamping Plate	47	012/BV20/A	Ashpan Tool
18	008/NV38	Flue Fixing Rope Seal	48	004/BR033	Ashpan
19	012/TW09	Blanking Plate	49	002/EY03	Grate Plate
20	002/CH12B	Flue Collar	50	010/CRE043	L.H. Grate Support
21	002/BR020	Hinge	51	010/CRE042	R.H. Grate Support
22	008/BW39/S	Hinge Pin Set	52	010/CR065	Front Grate Support
23	002/BR001/A	Door Assembly	53	010/CRE061	Rear Grate Support
24	008/FFW026	1/4 Heavy Brass Washer	54	002/DY21	Riddler Knob
25	004/BR014	Handle Pivot Pin	55	008/DY27	Riddling Tool
26	002/PV13	Door Latch	56	010/CR013	Riddler Rod
27	002/BR012	Handle Casting	57*	010/EW51	Ash Carrier (Opt'l Extra)
28	008/FFW015	Thackery Washer	58#	010/CR050	Store Stand (Optional Extra)
29	008/FFB007	M8 x 100 Allen Hd Bolt	59#	010/TW33	Vert Rear Flue Adaptor (Opt'l Extra)
30	008/BR013	Wooden Handle	60#	010/CR057	Heat Shield (Optional Extra)

* These items are not shown on the drawing
Please specify colour when ordering.

To obtain spare parts please contact your local stockist giving Model, Part No. and Description. In case of difficulty contact the manufacturer at the address shown.
This drawing is for identification purposes only.

