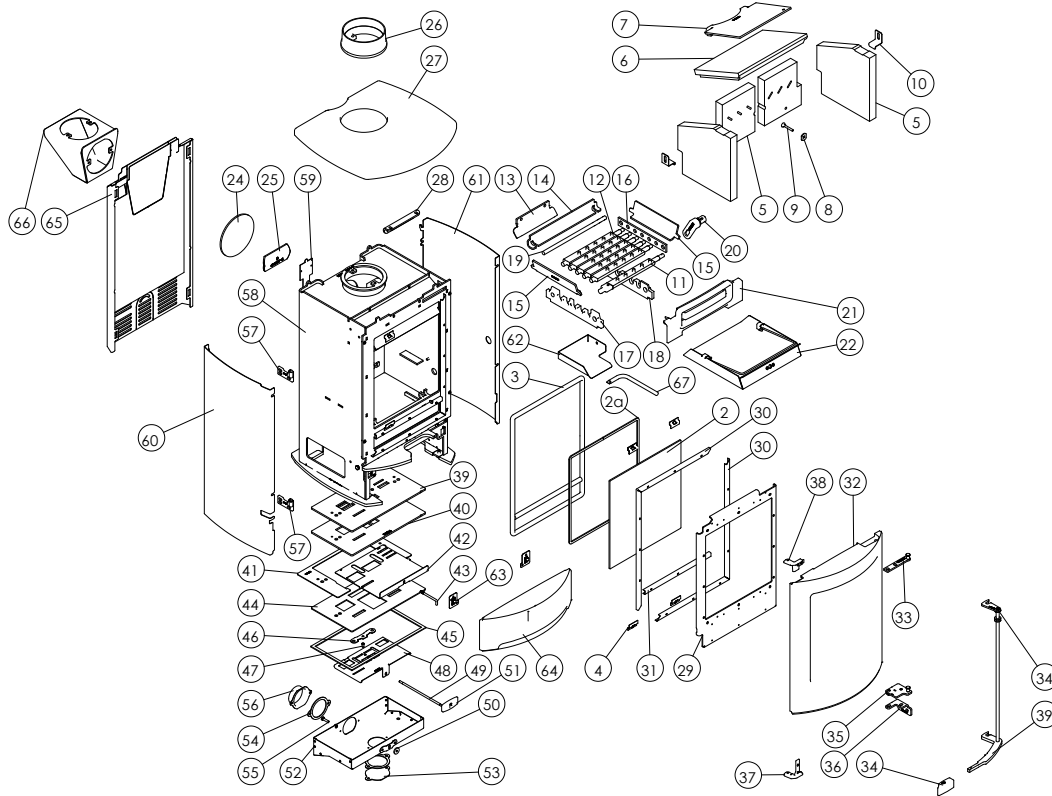


Item	Part No.	Description	Ex.Vat.	Inc.Vat.	Item	Part No.	Description	Ex.Vat.	Inc.Vat.
1*	008/FW29	Door Seal Adhesive .....	8.50	10.20	36	010/EZ055	Lower Latch Plate .....	6.50	7.80
2	006/EZ018	Glass (Inc Seal) .....	50.15	60.18	37	010/EZ065	Hinge Plate Lower .....	8.50	10.20
2a	008/PV55	Glass Seal .....	9.70	11.64	38	002/EZ053	Lower Hinge Bracket .....	16.30	19.56
3	008/EZ002/S	Door Seal Set Inc. Adhesive .....	18.75	22.50	39	002/EZ054	Upper Hinge Bracket .....	16.30	19.56
4	004/EZ023	Glass Retainer .....	5.50	6.60	40	004/EZ005	Air Slider Control Plate .....		
5	011/EZ029S	Fire Brick Set .....	54.00	64.80	41	010/EZ034	Slider Air Control Backing .....	20.20	24.24
6	011/EZ031	Brick Throat Plate .....	26.85	32.22	42	004/EZ033	Wood/Multifuel Surround .....	6.50	7.80
7	010/EZ032	Upper Baffle Plate .....	16.50	19.80	43	004/EZ035	Slider Wood/Multifuel .....	8.50	10.20
8	010/ER036	Brick Retaining Washer .....	1.35	1.62	44	004/EZ014	Wood/Multifuel Selection Lever .....	7.50	9.00
9	008/FFB125	Coach Bolt M6 x 45 .....	0.55	0.66	45	008/EZ037	Air Slider Control Gasket .....		
10	004/XV30	Brick Bracket .....	5.65	6.78	46	008/EZ006	Airbox Gasket .....	9.20	11.04
11	002/CG23	Driving Grate Bar .....	18.70	22.44	47	004/BR015	Clicker Retainer Plate .....	2.65	3.18
12	002/CG01S5	Set of Grate Bars (5) .....	52.55	63.06	48	008/ES36/01	Brass Ball Catch .....	3.45	4.14
13	010/EZ013	Ash Deflector .....	5.50	6.60	49	004/EZ020	Air Control Slider .....	8.80	10.56
14	010/EZ080	Rear Fire Plate .....	15.00	18.00	50	004/EZ016	Control Rod .....	10.25	12.30
15	010/EZ079	Side Fire Plate .....	15.00	18.00	51	008/BR052	Felt Washer .....	0.87	1.04
16	012/SY33	Mover Bar .....	33.00	39.60	52	002/EZ105	Air Control Handle .....	7.80	9.36
17	002/SY30	LH Carrier Bar .....	40.25	48.30	53	004/EZ041	Air Box Cover .....	45.00	54.00
18	002/EZ077	RH Carrier Bar .....	29.45	35.34	54	004/BR054	Blanking Plate .....	7.55	9.06
19	012/CG05	Idler Rod .....	25.85	31.02	55	008/BR044	Gasket .....	8.10	9.72
20	002/EZ098	Riddler Knob .....	22.85	27.42	56	008/FFS062	Defra Stop .....		
21	002/EZ007	Front Fence .....	37.10	44.52	57	004/BR053	Air Inlet Spigot .....	19.50	23.40
22	004/EZ017	Ashpan .....	31.50	37.80	58	002/EZ063	Door Hinge Bracket .....	19.60	23.52
23	008/NV38	Flue Fixing Rope Seal .....	5.70	6.84	59#	001/EZ010	Firebox .....		
24	012/PV09	Blanking Plate .....	18.75	22.50	60	012/EZ011	Serial Number Label .....		
25	010/EY51	Clamping Plate .....	14.80	17.76	61#	004/EZ093L	Left Hand Side Panel .....	32.00	38.40
26#	002/PV12B	Flue Collar .....	43.15	51.78	62#	004/EZ093R	Right Hand Side Panel .....	32.00	38.40
27#	002/EZ009	Cast Top .....	66.55	79.86	63	010/EZ099	Stand Baseplate .....	14.00	16.80
28	010/EZ012	Top Retaining Bracket .....	5.50	6.60	64#	002/EZ071	Store Stand Casting .....	69.85	83.82
29	010/EZ003	Door Back Plate .....	35.00	42.00	65	004/EZ078	Stand Backplate .....	8.50	10.20
30	004/EZ004	Door Rope Channel .....	12.00	14.40	66#	004/EZ102	Store Stand Lower Heatshield .....	25.00	30.00
31	004/EZ097	Horizontal Door Rope Channel .....	10.50	12.60	67#	010/EZ130A	Upper Heatshield .....	58.00	69.60
32#	002/EZ001/A	Door Casting .....	207.40	248.88	68#	010/BU034	Vertical Rear Flue Adapter .....	85.00	102.00
33	010/EZ061	Receiver Plate Upper .....	11.20	13.44	69	004/EZ095	Riddler/ Ashpan Operation Tool .....	18.00	21.60
34#	010/EZ057	Door Latch Assembly .....	34.00	40.80	70#	010/EZ120	Drawer (Optional Extra) .....	173.20	207.84
35	008/EZ106	Door Handle .....	11.00	13.20					

\*These items are not shown on the drawing.  
 # Please specify colour when ordering.  
 Prices are shown in pounds sterling with vat at 20%  
 They are correct at the date shown but may be subject to change without notice. E. & O.E  
 These prices are subject to a carriage charge.

To obtain spare parts please contact your local stockist giving Model, Part No. and Description. In case of difficulty contact the manufacturer at the address shown.  
 This drawing is for identification purposes only.





Item	Part No.	Description	Ex.Vat.	Inc.Vat.	Item	Part No.	Description	Ex.Vat.	Inc.Vat.
1*	008/FW29	Door Seal Adhesive .....	8.50	10.20	34	008/EZ106	Door Handle .....	11.00	13.20
2	006/EZ018	Glass Inc. Seal .....	50.15	60.18	35	010/EZ055	Lower Latch Plate .....	6.50	7.80
2a	008/PV55	Glass Seal .....	9.70	11.64	36	010/EZ065	Hinge Plate Lower .....	8.50	10.20
3	008/EZ002/S	Door Seal Kit Inc Adhesive .....	18.75	22.50	37	002/EZ053	Lower Hinge Bracket .....	16.30	19.56
4	004/EZ023	Glass Retainer .....	5.50	6.60	38	002/EZ054	Upper Hinge Bracket .....	16.30	19.56
5	011/EZ029S	Fire Brick Set (4) .....	54.00	64.80	39	010/EZ005	Air Slider Control Plate .....	18.00	21.60
6	011/EZ031	Brick Throat Plate .....	26.85	32.22	40	010/EZ034	Slider Air Control Backing .....	20.20	24.24
7	010/EZ032	Upper Baffle Plate .....	16.50	19.80	41	004/EZ033	Wood/Multifuel Surround .....	6.50	7.80
8	010/ER036	Brick Retaining Washer .....	1.35	1.62	42	004/EZ035	Slider Wood/Multifuel .....	8.50	10.20
9	008/FFB125	Coach Bolt M6 x 45 .....	0.55	0.66	43	004/EZ014	Wood/Multifuel Selection Lever .....	7.50	9.00
10	004/XV30	Brick Bracket .....	5.65	6.78	44	008/EZ037	Air Slider Control Gasket .....		
11	002/CG23	Driving Grate Bar .....	18.70	22.44	45	008/EZ006	Airbox Gasket .....	9.20	11.04
12	002/CG01S5	Set of Grate Bars (5) .....	52.55	63.06	46	004/BR015	Clicker Retainer Plate .....	2.65	3.18
13	010/EZ013	Ash Deflector .....	5.50	6.60	47	008/ES36/01	Brass Ball Catch .....	3.45	4.14
14	010/EZ080	Rear Fire Plate .....	15.00	18.00	48	004/EZ020	Air Control Slider .....	8.80	10.56
15	010/EZ079	Side Fire Plate .....	15.00	18.00	49	004/EZ016	Control Rod .....	10.25	12.30
16	012/SY33	Mover Bar .....	33.00	39.60	50	008/BR052	Felt Washer .....	0.87	1.04
17	002/SY30	LH Carrier Bar .....	40.25	48.30	51	002/EZ105	Air Control Handle .....	7.80	9.36
18	002/EZ077	RH Carrier Bar .....	29.45	35.34	52	004/EZ041	Air Box Cover .....	45.00	54.00
19	012/CG05	Idler Rod .....	25.85	31.02	53	004/BR054	Blanking Plate .....	7.55	9.06
20	002/EZ098	Riddler Knob .....	22.85	27.42	54	008/BR044	Gasket .....	8.10	9.72
21	002/EZ007	Front Fence .....	37.10	44.52	55	008/FFS062	Defra Stop .....		
22	004/EZ017	Ashpan .....	31.50	37.80	56	004/BR053	Air Inlet Spigot .....	19.50	23.40
23*	008/NV38	Flue Fixing Rope Seal .....	5.70	6.84	57	002/EZ063	Door Hinge Bracket .....	19.60	23.52
24	012/PV09	Blanking Plate .....	18.75	22.50	58#	001/EZL010	Firebox .....		
25	010/EY51	Clamping Plate .....	14.80	17.76	59	012/EZL011	Serial Number Label .....		
26#	002/PV12B	Flue Collar .....	43.15	51.78	60#	004/EZL091L	Left Side Panel .....	25.50	30.60
27#	002/EZ009	Cast Top .....	66.55	79.86	61#	004/EZL091R	Right Side Panel .....	25.50	30.60
28	010/EZ012	Top Retaining Bracket .....	5.50	6.60	62	004/EZL149	Tool Holder .....	5.70	6.84
29	010/EZ003	Door Back Plate .....	35.00	42.00	63	004/EZL088	Fixing Plate .....	5.10	6.12
30	004/EZ004	Door Rope Channel .....	12.00	14.40	64#	002/EZ085	Base Casting Short .....	49.00	58.80
31	004/EZ097	Horizontal Door Rope Channel .....	10.50	12.60	65#	010/EZ130A	Upper Heatshield .....	58.00	69.60
32#	002/EZ001/A	Door Assembly .....	207.40	248.88	66#	010/BU034	Vertical Rear Flue Adapter .....	85.00	102.00
33	010/EZ061	Receiver Plate Upper .....	11.20	13.44	67	004/EZ095	Riddler/ Ashpan Operation Tool .....	18.00	21.60

\*These items are not shown on the drawing.

# Please specify colour when ordering.

Prices are shown in pounds sterling with vat at 20%

They are correct at the date shown but may be subject to change without notice. E. & O.E

These prices are subject to a carriage charge.

To obtain spare parts please contact your local stockist giving Model, Part No. and Description. In case of difficulty contact the manufacturer at the address shown.

This drawing is for identification purposes only.

