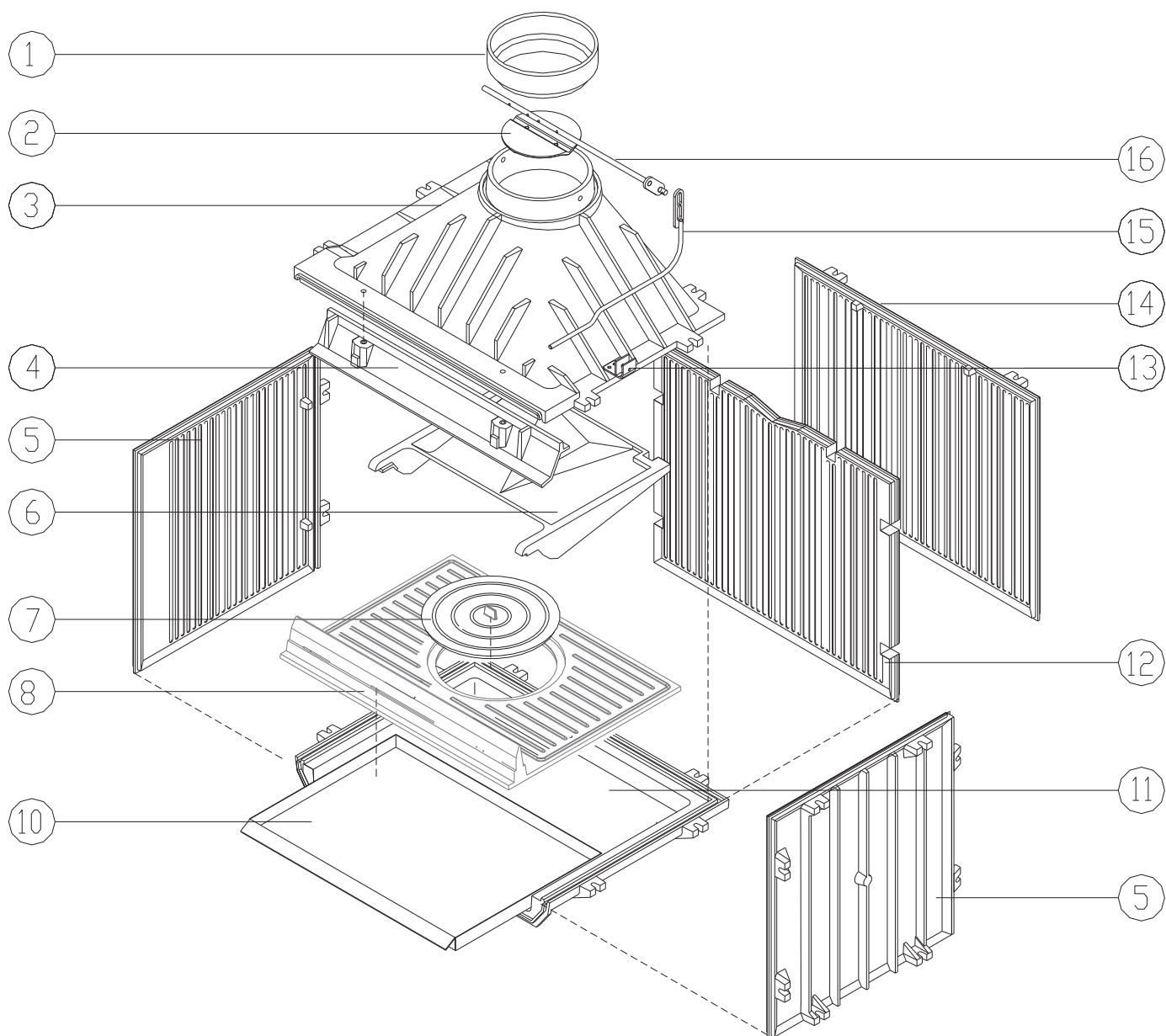


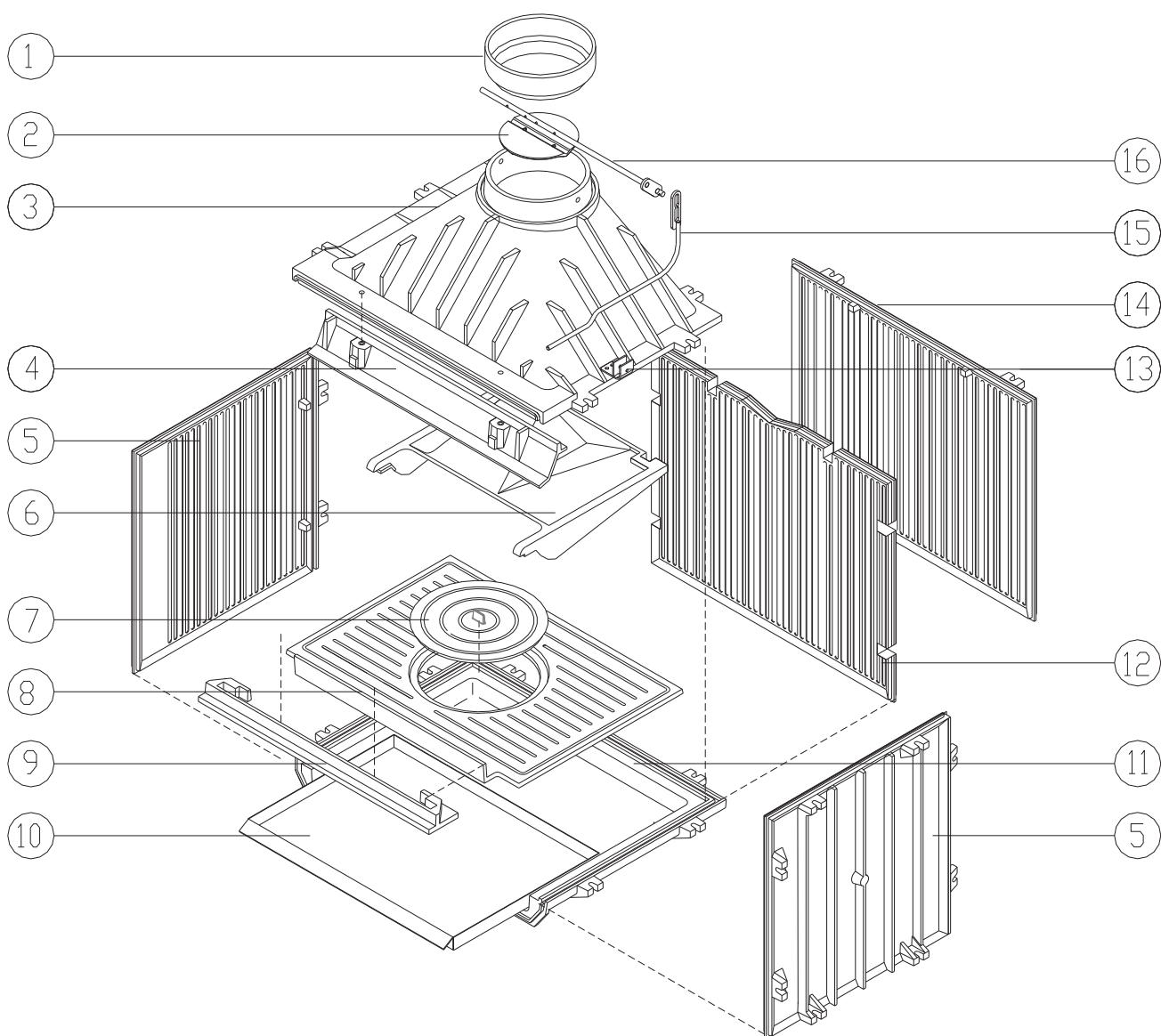
H03-70



N°	COD.	MOD.
1	9920023	H03-70
2,13,15,16	9920025	H03-70-DB/R
2	9920373	H03-70-DB/R
3	9920020	H03/70
	9920021	H03/70DB/R
4	9920017	H03-70
5	9920009	H03-70
6	9920015	H03-70

N°	COD.	MOD.
7	9920008	H03
8	9920006	H03-70
10	9920013	H03
11	9920001	H03/70
	9920003	H03-70 TURBO
12	9920012	H03/70-DB

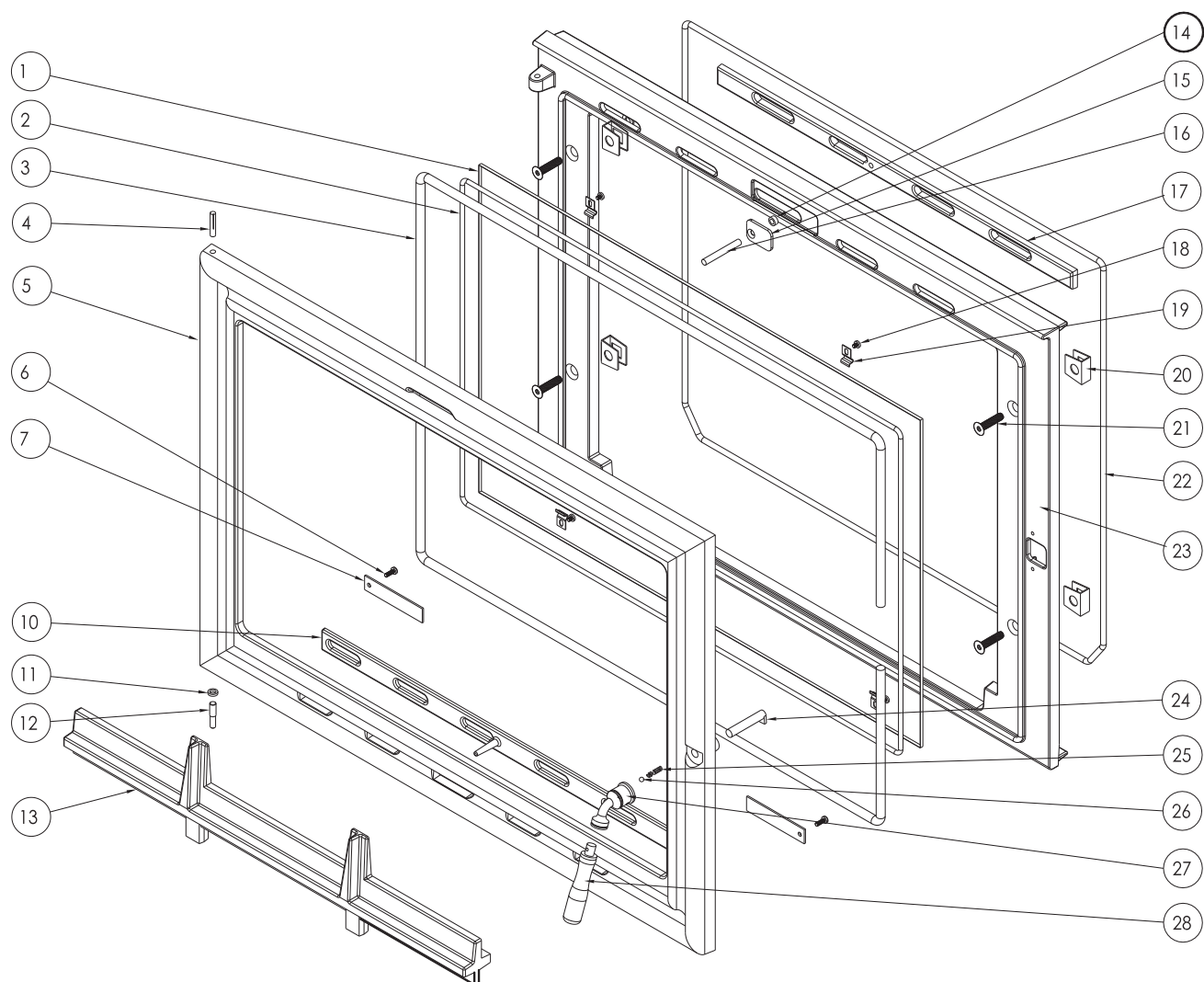
H03-80



N°	COD.	MOD.
1	9920022	H03-80
2,13,15,16	9920024	H03-80-DB/R
2	9920374	H03-80-DB/R
3	9920018	H03/80
	9920019	H03/80 DB/R
4	9920016	H03-80
5	9920010	H03-80

N°	COD.	MOD.
6	9920014	H03-80
7	9920008	H03
9	9920007	H03-80
10	9920013	H03
11	9920002	H03/80
	9920004	H03-80 TURBO
12	9920011	H03-80-DB

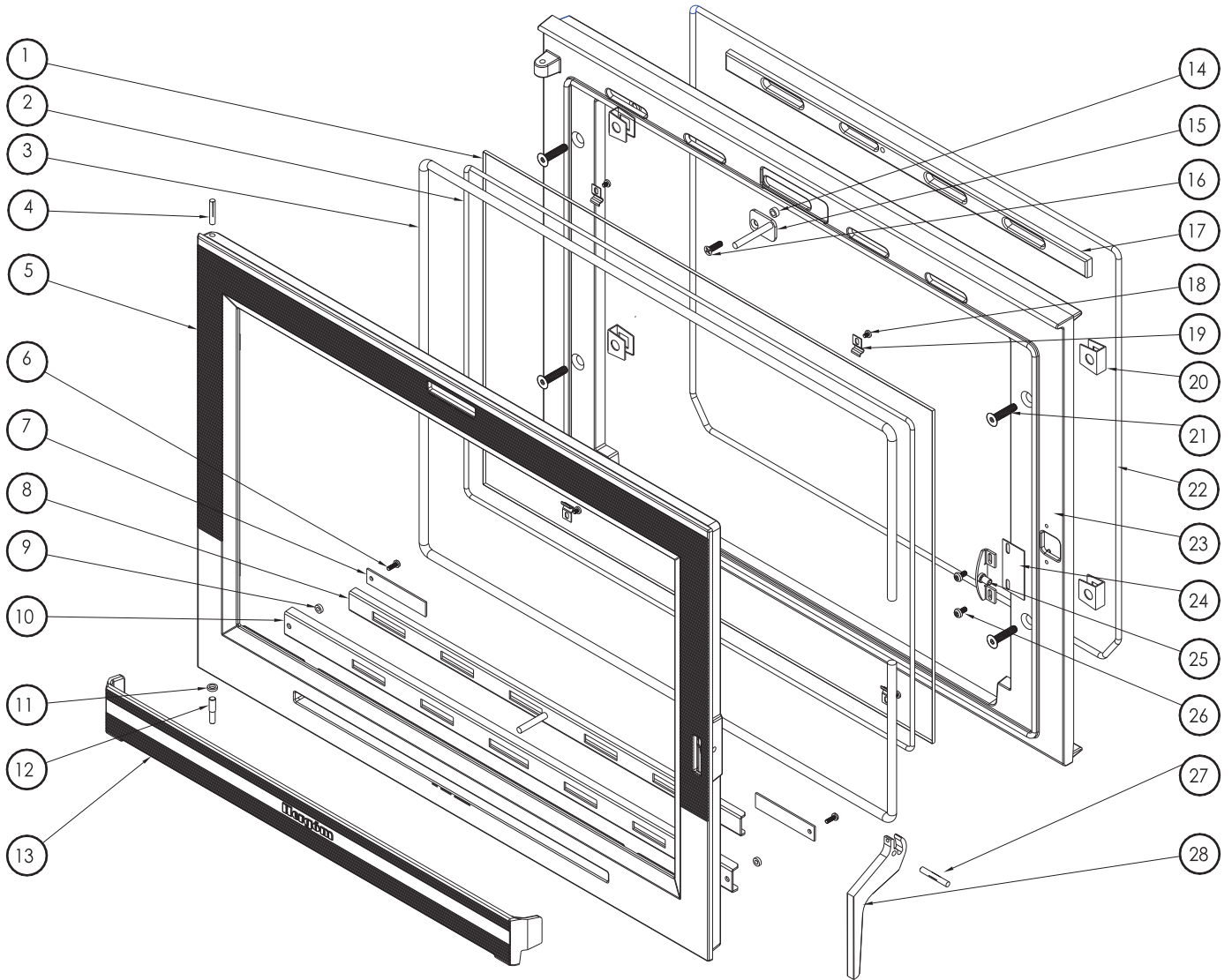
H-03 CLASSIC



N°	COD.	MOD.
3	9920054	H03
13	9920032	H03/80
1,2,18,19	9920056	H03/70
	9920055	H03/80
4,11,12	9920051	H03-CLASSIC
	9920039	H03/80
5	9920040	H03/80DB/R
	9920041	H03/70
	9920042	H03/70DB/R
6,7,10	9920060	H03/70
	9920059	H03-80

N°	COD.	MOD.
14,15, 16,17	9920035	H03/80
	9920036	H03/70
20,21, 22,23	9920026	H03-80
	9920027	H03/70
	9920028	H03/70DB/R
	9920029	H03/80DB/R
24,25,26, 27,28	9920053	H03-CLASSIC

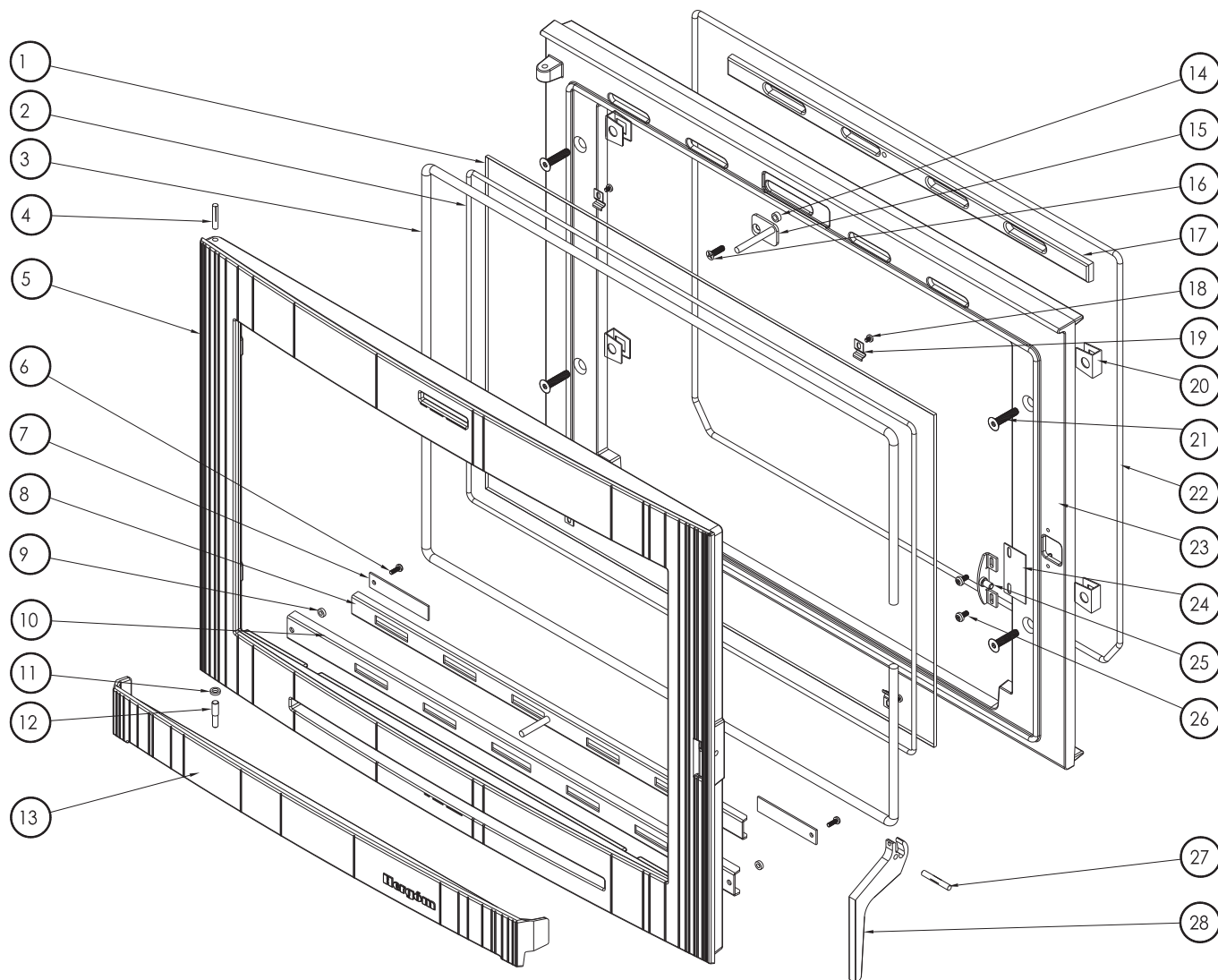
H-03 PLANE



N°	COD.	MOD.
3	9920054	H03
13	9920034	H03/80
5	9920047	H03/80
	9920048	H03/80DB/R
	9920049	H03/70
	9920050	H03/70DB/R
1,2,18,19	9920055	H03-80
	9920056	H03-70
4,11,12	9920052	PLANE-CURVO
6,7,8,9,10	9920061	H03/70
	9920062	H03/80

N°	COD.	MOD.
14,15, 16,17	9920038	H03/70
	9920037	H03/80
20,21, 22,23	9920026	H03/80
	9920027	H03/70
	9920028	H03/70 DB/R
	9920029	H03/80 DB/R
24,25,26	9920057	PLANE-CURVO
27,28	9920058	PLANE-CURVO

H-03 CURVO



N°	COD.	MOD.
3	9920054	H03
13	9920033	H03/80
5	9920043	H03/80
	9920044	H03/80DB/R
	9920045	H03/70
	9920046	H03/70DB/R
1,2, 18,19	9920055	H03-80
	9920056	H03-70
4,11,12	9920052	PLANE-CURVO
6,7,8, 9,10	9920061	H03/70
	9920062	H03/80

N°	COD.	MOD.
14,15, 16,17	9920038	H03/70
	9920037	H03/80
20,21, 22,23	9920026	H03/80
	9920027	H03/70
	9920028	H03/70 DB/R
24,25,26	9920029	H03/80 DB/R
	9920057	PLANE-CURVE
27,28	9920058	PLANE-CURVE

H03 TURBO CONVECTOR

Mod. H03/70

Mod. H03/80

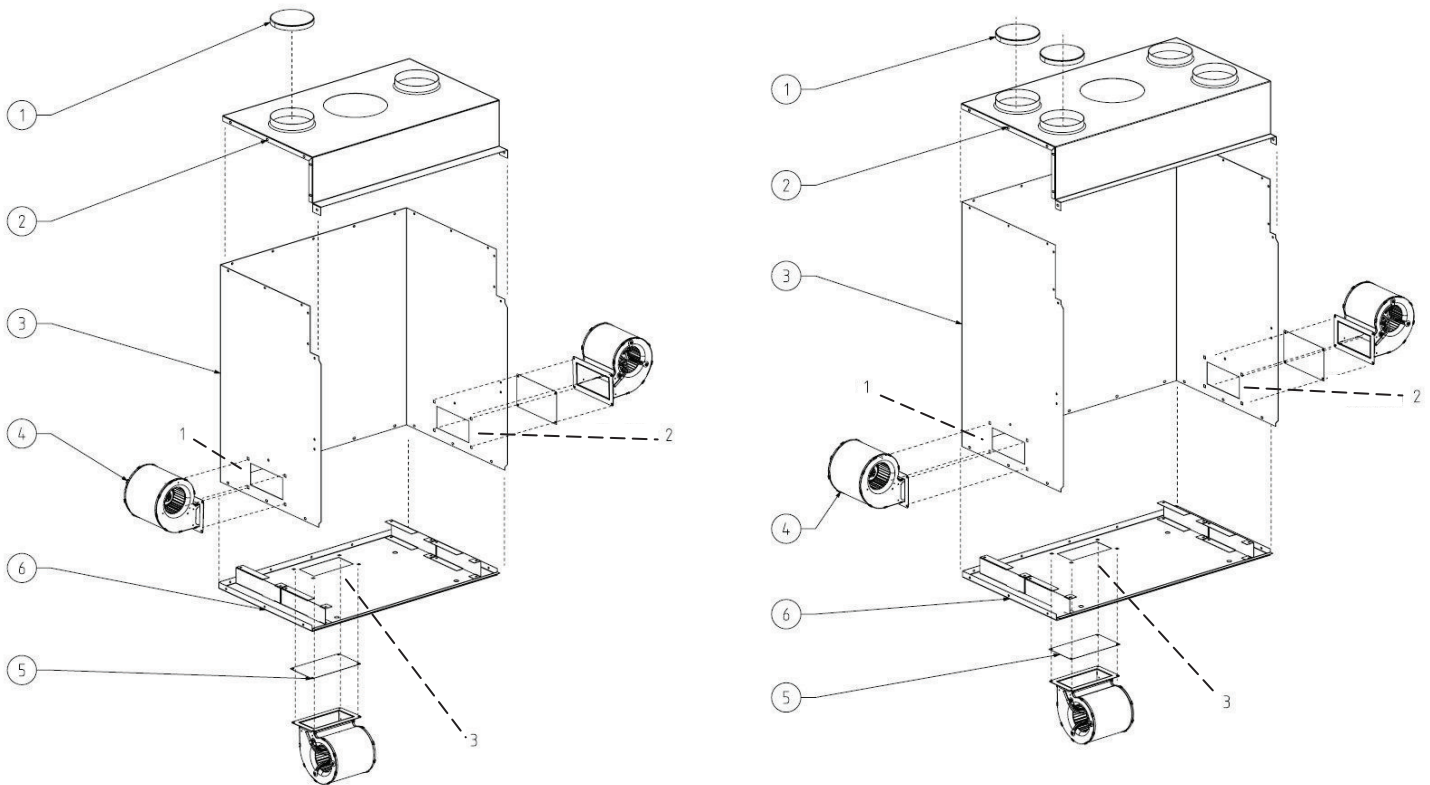


Fig. 13

H-03/70 TURBO CONVECTOR

N°	COD.
1	9920069
2	9920070
3	9920063
4	9920065
5	9920068
6	9920066

H-03/80 TURBO CONVECTOR

N°	COD.
1	9920069
2	9920071
3	9920064
4	9920065
5	9920068
6	9920067